



#LR-4005/4010 |

INSTRUCTIONS

2005-2014

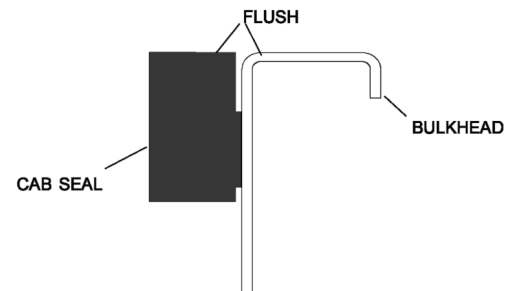
NISSAN FRONTIER

WITH UTILITY TRACK

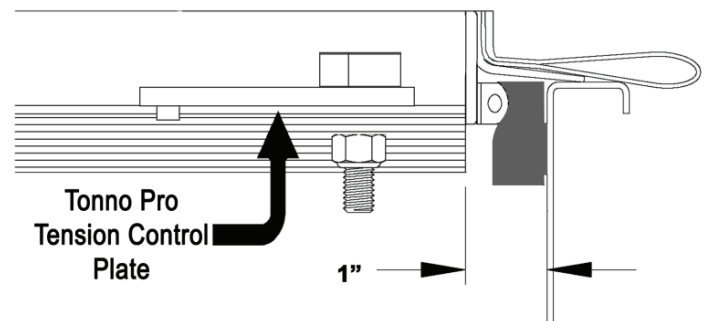
Hardware:

SIDE RAIL CLAMPS NOTE: For Frontier Trucks without Utility Track Systems follow general installation instructions (3 clamps per side). For Frontier Trucks with Utility Track Systems install (2 clamps per side) one located in the front, and one in the rear of the Utility Track System.

1. Weather Seal Installation. Install the supplied the Weather Seal to the inside of the bulkhead of the truck and keep flush to the top of the bulkhead.



2. Side Rail Installation. Position the side rails tight against the Weather Seal as shown below. See General Installation Instructions to complete the installation.



3. The illustration on the right shows the correct positioning of the clamp and how it relates to the factory utili-track channel. Tighten clamp as normal.

