

TONNO PRO

WWW.TONNOPRO.COM

#LR-5025/5020 |

INSTRUCTIONS

2005-2014

TOYOTA TACOMA

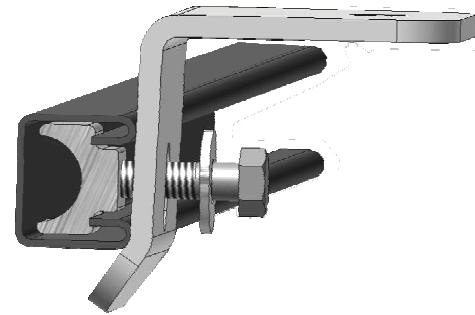
WITH UTILITY TRACK

Hardware:

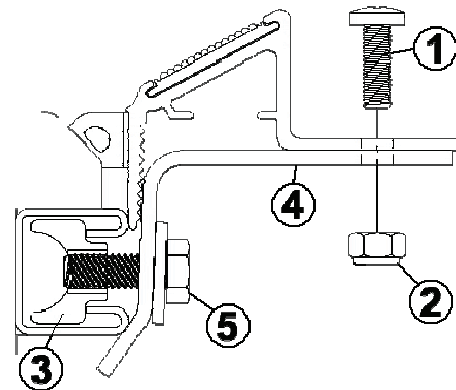
1. (6) Allen Head Bolts M6x20mm
2. (6) Hex Head Nuts M6
3. (6) Male Clamps
4. (6) Mounting Brackets
5. (6) Hex Head Bolts M8x25mm
6. (2) Nylon Lock Nuts M10
7. (2) Washers 38mmx10mmx6mm
8. (2) Edge Guards

WARNING: Incorrect clamping can cause damage to your vehicle.
Do not over tighten clamps.

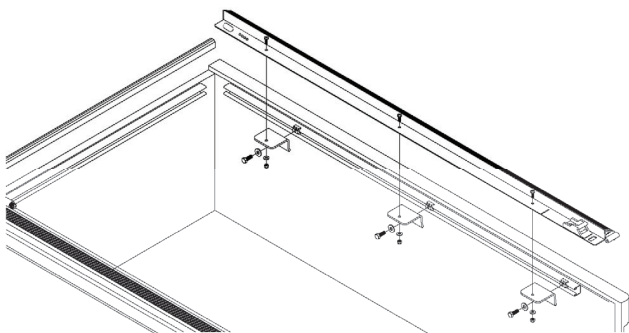
1. Remove cargo rail end plugs by pushing in on the end plug while pushing the end plug out of the rail. Then remove installed tie downs from the rail temporarily.



2. Install mounting brackets into the cargo rails. Assemble the brackets as shown and insert into the cargo rail. Three brackets per side are required. Note: You may reinstall tie downs at this time in between mounting brackets.



3. Attach the Tonno Pro side rails to the mounting brackets.



4. Align center of edge guard with center of notch. Press edge guard over side rail to cover sharp edges on notch.

